

DUODIGIT SX



CLASS 0

DD
DUODIGIT

The **DUODIGIT SX** is a rugged, easy-to-install equipment designed to transmit meter reading data (water, gas and power) through the LPWA Sigfox network. The equipment can also be used in alarm systems and event occurrences. It has a primary Thionyl Chloride Lithium battery of 6500mA to operate for several years according to the number of daily transmissions.



APPLICATIONS:

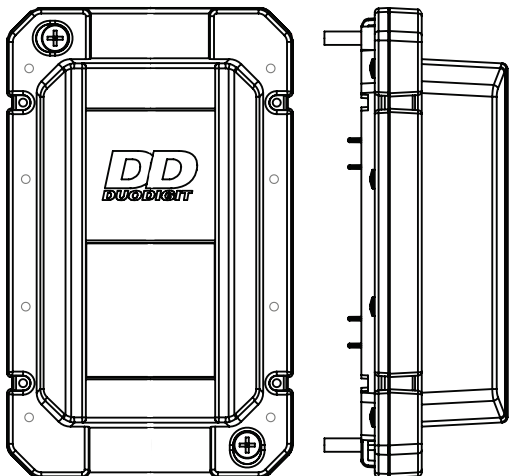
- Water metering system;
- Gas metering system;
- Power measurement system;
- Alarms;
- Event detector.

CERTIFICATIONS:

- Sigfox Ready;
- Anatel.

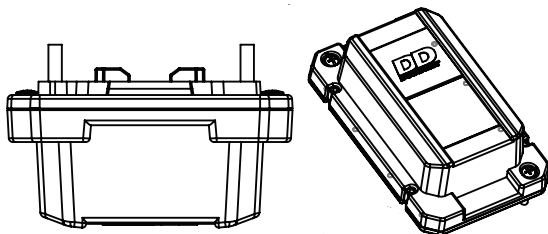
Product developed and produced by Duodigit, a pioneer Brazilian company in the use of SIGFOX technology that has a specialized technical team trained in France.

www.duodigit.com.br

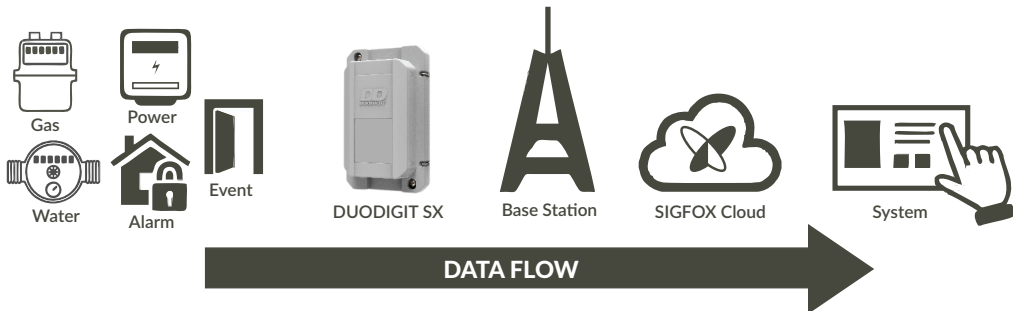


FEATURES:

Dimensions	140 x 85 x 44 mm
House	ABS - IP67
Weight	200g
Anti-tampering	Metal security seals
Operating frequency	SIGFOX RC2
Antenna	Internal
RF Power	24 dBm (Sigfox Class 0)
Battery	Internal Lithium Thionyl Chloride 6500 mA
Operating temperature range	-10 °C/+ 80 °C
Certifications	Sigfox Ready Anatel
Interface	3 Inputs (2 pulses e 1 alarm)



APPLICATIONS:



DD
DUODIGIT



Duodigit Ltda

Rua Alegre, 355 - São Caetano do Sul
São Paulo - Brazil

Tel: +55 11 2062-1821

contato@duodigit.com.br

www.duodigit.com.br